

HL35 LED

Emerg. lum., 1x5/120-230/50/60,3hBU,IP67

Nominal voltage	120-230 VAC
Frequency	50/60 Hz
Nominal current	80 mA
Power consumption	18,6 VA

Part No.: 5122005000-001

DESCRIPTION

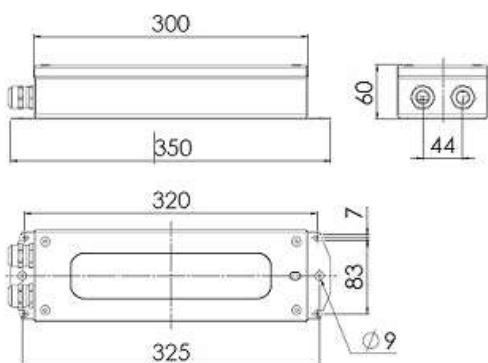
Series	HL35 LED
Number/Power of lamps	1 x 5 W LED
Emergency	BU3h
CCT	4000 K
CRI	80
Finish of Cover/Frame/Ring	RAL9016
Material of housing	STAINLESS STEEL
Finish of housing	RAL9016
Type of lamps	LED
Light source included	YES
Cable entry	2 x M20 BR
Type of connection	TERMINAL 5P
Mounting type	2 x HOLES 9 mm
IP class	IP66/67
Ambient temperature [°C]	0 ... +35

ILLUSTRATION



Illustration similarly

DRAWINGS



[mm]

HL35 LED

Emerg. lum., 1x5/120-230/50/60,3hBU,IP67

Part No.: 5122005000-001

DETAILED DESCRIPTION

Series	HL35 LED
Nominal voltage	120-230 VAC
Frequency	50/60 Hz
Nominal current	80 mA
Power consumption	18,6 VA
Number/Power of lamps	1 x 5 W LED
Emergency	BU3h
CCT	4000 K
CRI	80
Finish of Cover/Frame/Ring	RAL9016
Material of housing	STAINLESS STEEL
Finish of housing	RAL9016
Specials	VENT MEMBRANE
Type of lamps	LED
Light source included	YES
Cable entry	2 x M20 BR
Position of cable entry	2--
Type of connection	TERMINAL 5P
Mounting type	2 x HOLES 9 mm
IP class	IP66/67
Ambient temperature [°C]	0 ... +35
Dimensions (without cable glands)	
Fitting length	350 mm
Fitting width	100 mm
Fitting height	60 mm
Weight [kg]	2,4

