

KJ SMART

Berth Light,surf.,250lm/120-230/50/60,USB

Nominal voltage	120-230 VAC	Part No.:	5117001600-001
Frequency	50/60 Hz		
Nominal current	0,13 A		
Power consumption	29 VA		

DESCRIPTION

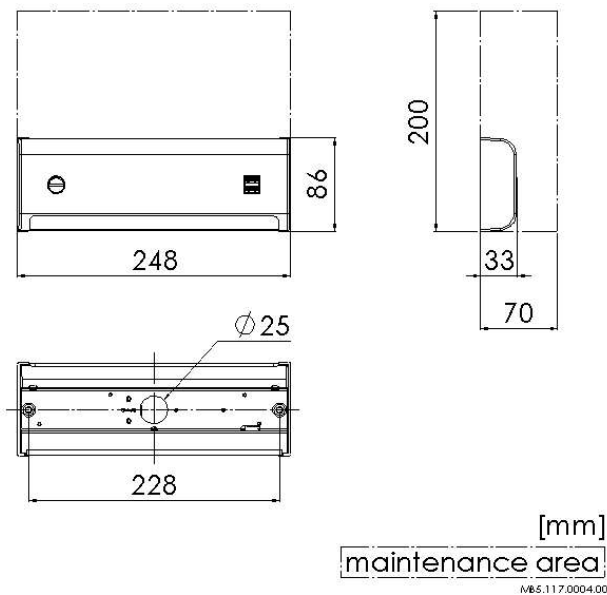
Series	KJ SMART
Number/Power of lamps	1 x 3 W LED
Control mode	SWITCH
Lumen output	250 lm
CCT	3000 K
CRI	80
Cover/Diffusor	PC OPAL
Material of housing	PC
Finish of housing	BLACK
Type of lamps	LED
Light source included	YES
Cable entry	HOLE Ø 25 mm
Type of connection	TERMINAL 3P
Mounting type	2 x HOLES
IP class	IP20
Ambient temperature [°C]	-25 ... +35

ILLUSTRATION

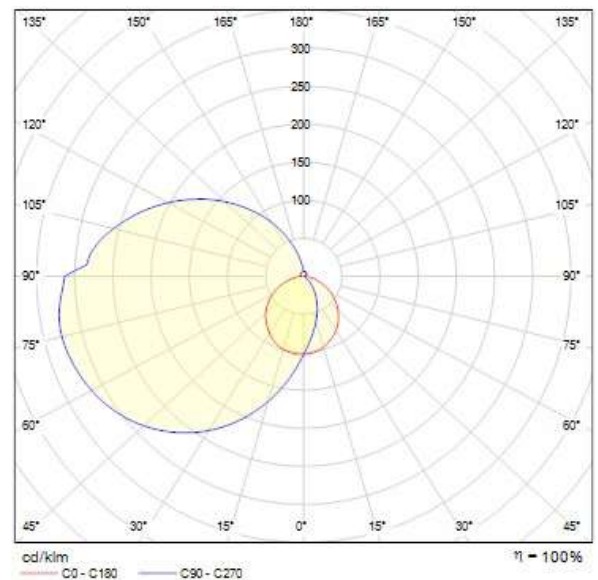


Illustration similarly

DRAWINGS



PHOTOMETRIC DATA



DETAILED DESCRIPTION

Series	KJ SMART
Nominal voltage	120-230 VAC
Frequency	50/60 Hz
Nominal current	0,13 A
Power consumption	29 VA
Number/Power of lamps	1 x 3 W LED
Control mode	SWITCH
Electrical specials	2 x USB
Lumen output	250 lm
CCT	3000 K
CRI	80
Beam direction	FIXED
Cover/Diffusor	PC OPAL
Material of housing	PC
Finish of housing	BLACK
Type of lamps	LED
Light source included	YES
Cable entry	HOLE Ø 25 mm
Position of cable entry	-1-
Type of connection	TERMINAL 3P
Mounting type	2 x HOLES
IP class	IP20
Ambient temperature [°C]	-25 ... +35
Dimensions (without cable glands)	
Fitting length	250 mm
Fitting width	86 mm
Fitting height	34 mm
Weight [kg]	0,43